

# WE2107

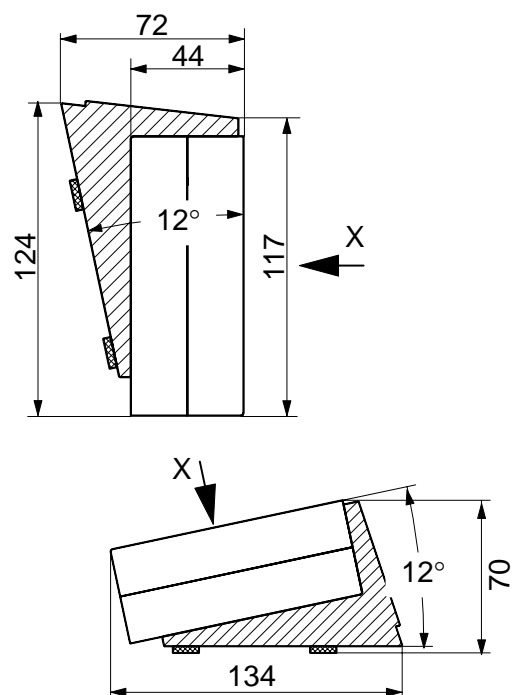
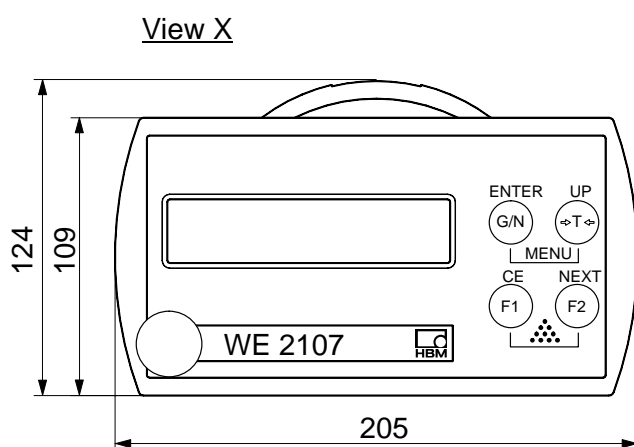
Weighing indicator  
(NAWI)

## Special features

- OIML test report up to 6000 d in preparation
- Dual range capability 2x 3000 d
- Use as single- dual- or triple-range balance
- Four limit value switches with hysteresis
- RS-232-interface
- Two digital control outputs
- Four digital outputs (limit value switches or filling and batching control)
- Degree of protection IP65



Dimensions (in mm; 1 mm= 0.03937 inches)



## Specifications

Type		WE2107	
Max. number of scale interv. acc. to OIML R76 (class III, IIII) Multi-range application Input sensitivity	d = e d = e $\mu\text{V}/\text{e}$	6000; 2 x 3000; Multi-range 2x3000; 3x2000 $\geq 0.8$	
Measuring range Min. input resistance of the load cell Max. input resistance of the load cell Load cell excitation voltage Cable length between WE2107 and load cell(s)	mV/V $\Omega$ $\Omega$ $V_{\text{DC}}$ m	$\pm 2$ ; max. $\pm 3.2$ 60 4000 5 max. 100	
Measuring rate Filter, adjustable, FMD0 Cut-off frequency (-3 dB) Transient respond time FMD1 Cut-off frequency (-3 dB) Transient respond time	Meas./s Hz ms Hz ms	200 0.0625 0.125 0.25 0.5 1 2 4 8 25 16000 8000 4000 2000 1000 500 250 125 80 2 2.5 3 4 5 6 7 8 10 566 450 380 310 240 170 160 150 140	
Power supply without analog output connected Power supply with analog output connected Power consumption (incl. Display lighting)	$V_{\text{DC}}$ $V_{\text{DC}}$ W	12 ... 30; 24 nominal 18 ... 30; 24 nominal 6	
Display Hight of display Status symbols Keys	mm	LCD with back-lighting 20 Zero, Net, Motion, Unit, Range Foil keyboard (tactile feedback)	
Number of digital inputs Input voltage IN1/2, Low Input voltage IN1/2, High Input resistance	V V k $\Omega$	2 0 ... 1.0 3 ... 30 10	
Number of digital outputs (High side switch) max. output current/output Power supply, outputs	V A V	4 0.6 12 ... 30; 24 nominal	
Serial interface (COM1) Baud-rate, adjustable Serial interface functions (COM2)	Bd	RS-232 1200 ... 38400 Print, serial display (autom. output), PC-connection via RS-485	
Analog output Burden Resolution	mA $\Omega$ $\mu\text{A}$	4 ... 20 100 ... 500 15.6	
Nominal temperature range Operating temperature range Storage temperature range	$^{\circ}\text{C}$ [ $^{\circ}\text{F}$ ] $^{\circ}\text{C}$ [ $^{\circ}\text{F}$ ] $^{\circ}\text{C}$ [ $^{\circ}\text{F}$ ]	-10 ... +50 (+40*) [14 ... 104 (104*)] -20 ... +60 [14 ... 140] -40 ... +85 [-22 ... 158]	
Connection / Fitting		4 x PG	
Weight, approx.	kg	1	
Degree of protection per EN 60 529 (IEC 529) Immunity level (EMC) accord. to EN 45501 (3 V/m) Housing material		IP65 additional tested up to 10 V/m ABS, free of halogene	

\* according to OIML, legal for trade

Order no.: 1-WE2107-1

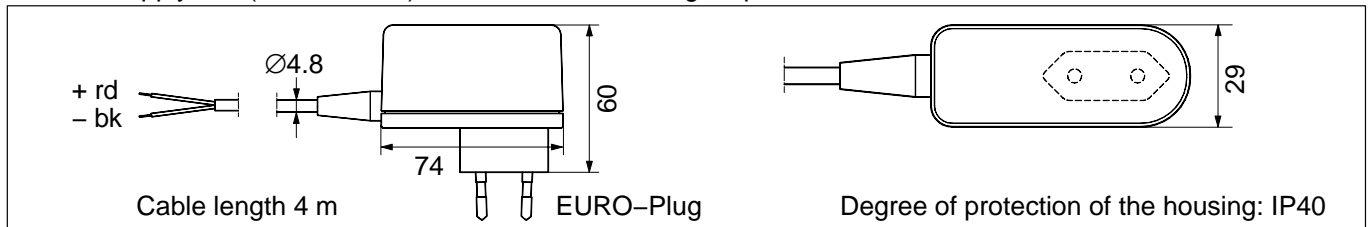
### Accessories

Included in the scope of supply:

- CD-ROM with WE2107-Panel-Software, Communication Protocol for PC and documentation

To be ordered separately:

- Power supply unit (100 ... 240 V), not for use with analog output, Order no. 1-AC/DC15V/550mA



Modifications reserved.

All details describe our products in general form only. They are not to be understood as express warranty and do not constitute any liability whatsoever.

托驰 (上海) 工业传感器有限公司

上海市嘉定区华江路348号1号楼707室

Tel. 021-51069888 Fax. 021-51069009

www.yanattoo.com zhang@yanattoo.com



measurement with confidence