

precix 6

SP4M...

Single point load cells

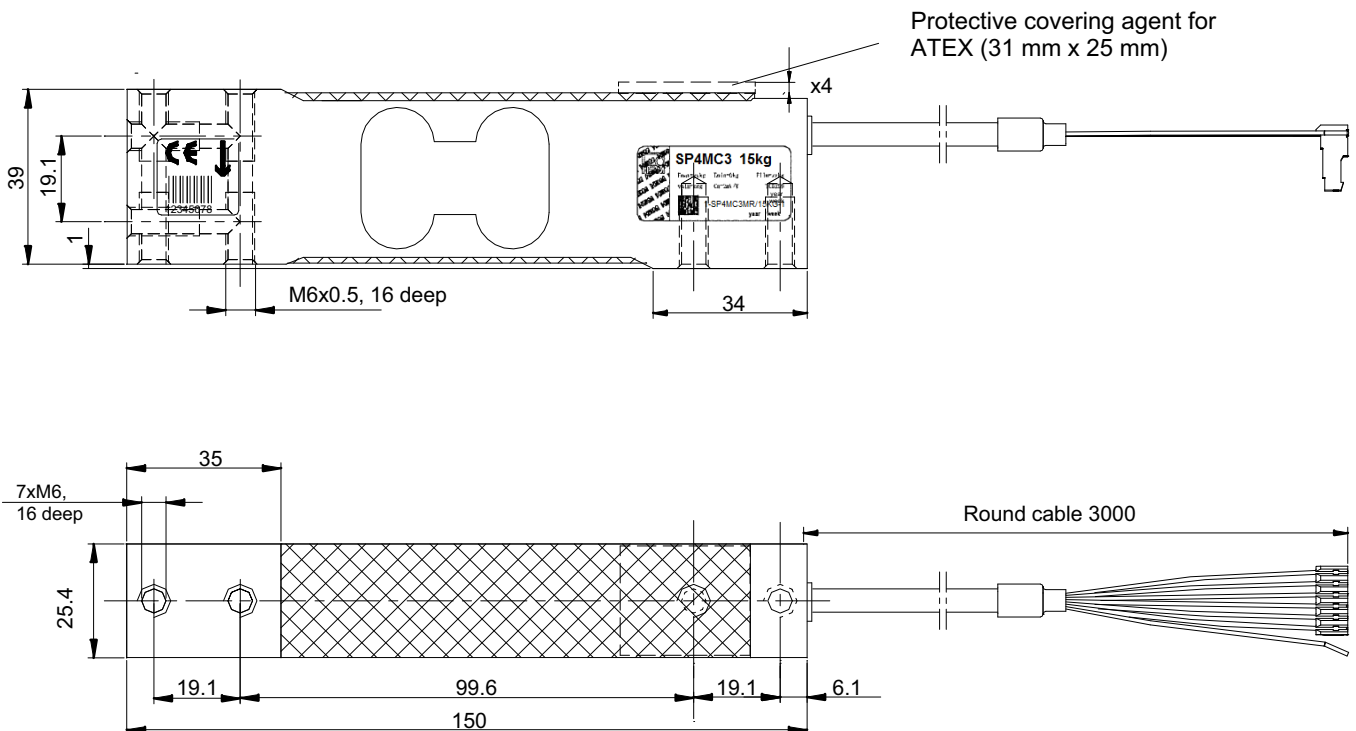
Special features

- Maximum capacities: 1 kg ... 200 kg
- Aluminum
- High ratio of minimum verification interval Y
- Off-center load compensation
- Shielded connection cable
- Ex protection designs as per IECEx, ATEX and FM (optional)



Data sheet

Dimensions in mm (1 mm = 0.03937 inches)



Specifications

Type			SP4M...												
Accuracy class ¹⁾			C3 Multi Range (MR)												
Number of load cell verification intervals (n_{LC})			3000												
Maximum capacity (E_{max}) ²⁾		kg	1	3	5	7	10	15	20	30	50	75	100	150	200
Minimum load cell verification interval (v_{min})		g	0.1	0.2	0.5	0.5	1	1	2	2	5	5	10	10	20
Temperature coefficient of zero signal		TC ₀ % of C _n /10 K	±0.0140	±0.0093	±0.0140	±0.0100	±0.0140	±0.0093	±0.0140	±0.0093	±0.0140	±0.0093	±0.0140	±0.0093	±0.0140
Ratio of minimum verification interval Y		Y	10,000	15,000	10,000	14,000	10,000	15,000	10,000	15,000	10,000	15,000	10,000	15,000	10,000
Maximum platform size		mm	300 × 300					450 × 450				600 × 600			
Nominal sensitivity Maximum capacity 1 kg Maximum capacities 3 kg...200 kg		C _n mV/V	1.8 +0.27 -0.18 (Option 6: A1 = 1.8 mV/V±0.1 %) 2.0±0.2 (Option 6: A = 2mV/V±0.1 %)												
Zero signal		mV/V	0 ± 0.1												
Temperature coefficient of sensitivity ³⁾ Temperature range +20 °C ... +40 °C -10 °C ... +20 °C		TC _S % of C _n /10 K	±0.0170 ±0.0110												
Non-linearity ³⁾		d _{lin}	±0.0166												
Relative reversibility error ³⁾		d _{hy}	±0.0166												
Minimum dead load output return (MDLOR)		% of C _n	±0.0166												
Off-center load error ⁴⁾ , as per OIML R76			±0.0233												
Input resistance		R _{LC}	300...500												
Output resistance		R ₀	300...500 (Option 6: A = 410 Ω ± 0.2 Ω)												
Reference voltage		U _{ref}	5												
Nominal (rated) range of the excitation voltage		B _U	1 ... 12												
Max. excitation voltage			15												
Insulation resistance at 100 V _{DC}		R _{is}	>2												
Nominal (rated) range of the ambient temperature		B _T	-10 ... +40												
Operating temperature range		B _{TU}	-10 ... +50												
Storage temperature range		B _{Tl}	-25 ... +70												
Limit load		E _L	150												
Limit lateral loading, static		E _{lq}	300												
Breaking load		E _d	300												
Rated displacement at E _{max} , approx.		s _{nom} mm	< 0.5	< 0.3				< 0.25							
Weight, approx.		m kg	0.45												
Degree of protection ⁵⁾			IP67												
Material: Measuring body Application protection Cable sheath			Aluminum Silicone rubber PVC												

1) As per OIML R60, with P_{LC} = 0.7

2) Max. eccentric loading as per OIML R76.

3) If the values for non-linearity (d_{lin}), relative reversibility error (d_{hy}) and temperature coefficient of sensitivity (TC_S) are added together, they are within the cumulated error limit specified in OIML R60.

4) As per OIML R76

5) As per EN 60 529 (IEC 529)

Specifications (continued)

Type			SP4M...											
Accuracy class ¹⁾			C6 Multi Range (MR)											
Number of load cell verification intervals (n _{LC})			6000											
Maximum capacity ²⁾	E _{max}	kg	7	10	15	18	20	30	36	50	75	100	150	200
Minimum load cell verification interval	v _{min}	g	0.5	0.5	1	1	1	2	2	2	5	5	10	10
Temperature coefficient of zero signal	TC ₀	% of C _n /10 K	±0.0100	±0.0070	±0.0093	±0.0070	±0.0070	±0.0093	±0.0070	±0.0056	±0.0093	±0.0070	±0.0093	±0.0070
Ratio of minimum verification interval Y	Y		14,000	20,000	15,000	18,000	20,000	15,000	18,000	25,000	15,000	20,000	15,000	20,000
Max. platform size		mm	300 x 300			450 x 450				600 x 600				
Nominal sensitivity	C _n	mV/V	2.0 ±0.2		1.8 ±0.18	2.0 ±0.2		2.4 ±0.2	2 ±0.2	2 ±0.2	2 ±0.2	2 ±0.2	2 ±0.2	2 ±0.2
Zero signal			0 ± 0.10											
Temperature coefficient of sensitivity ³⁾ Temperature range: +20 ... +40 °C -10 ... +20 °C	TC _S	% of C _n /10 K	±0.0087 ±0.0058											
Relative reversibility error ³⁾	d _{hy}	% of C _n	±0.0083											
Non-linearity ³⁾	d _{lin}		±0.0083											
Minimum dead load output return (MDLOR)			±0.0083											
Off-center load error ⁴⁾			±0.0116											

1) As per OIML R60, with P_{LC} = 0.7

2) Max. eccentric loading as per OIML R76.

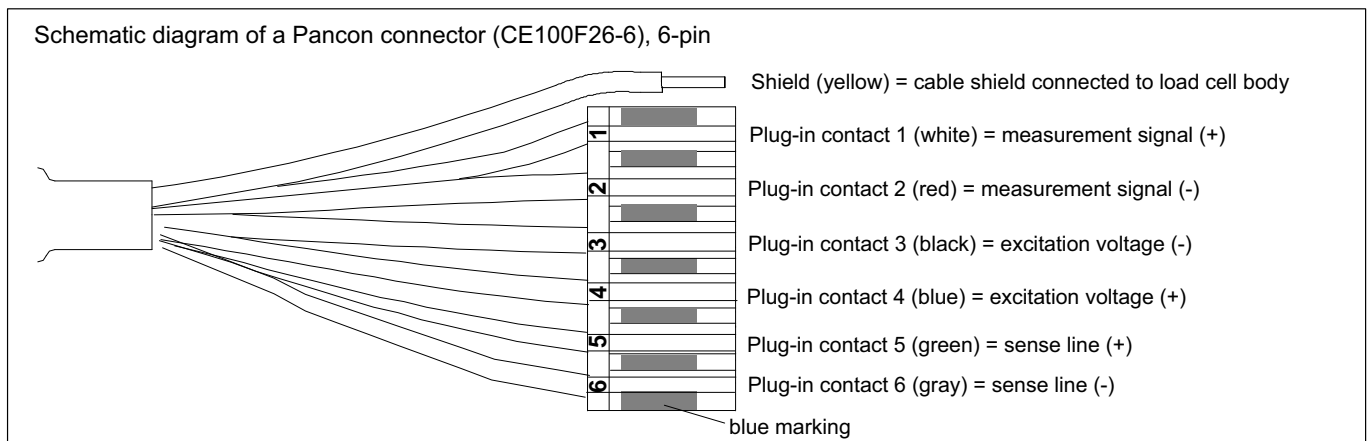
3) The values for non-linearity (d_{lin}), relative reversibility error (d_{hy}) and temperature coefficient of sensitivity (TC_S) are recommended values. If these values are added together, they are within the cumulated error limit specified in OIML R60.

4) As per OIML R76

For further specifications, see Table SP4M..., Accuracy class C3 Multi Range (MR) (page 2)

Cable assignment

6-wire cable connection (24 AWG, available cable lengths: 1.5 m; 3 m; 6 m; 12 m)



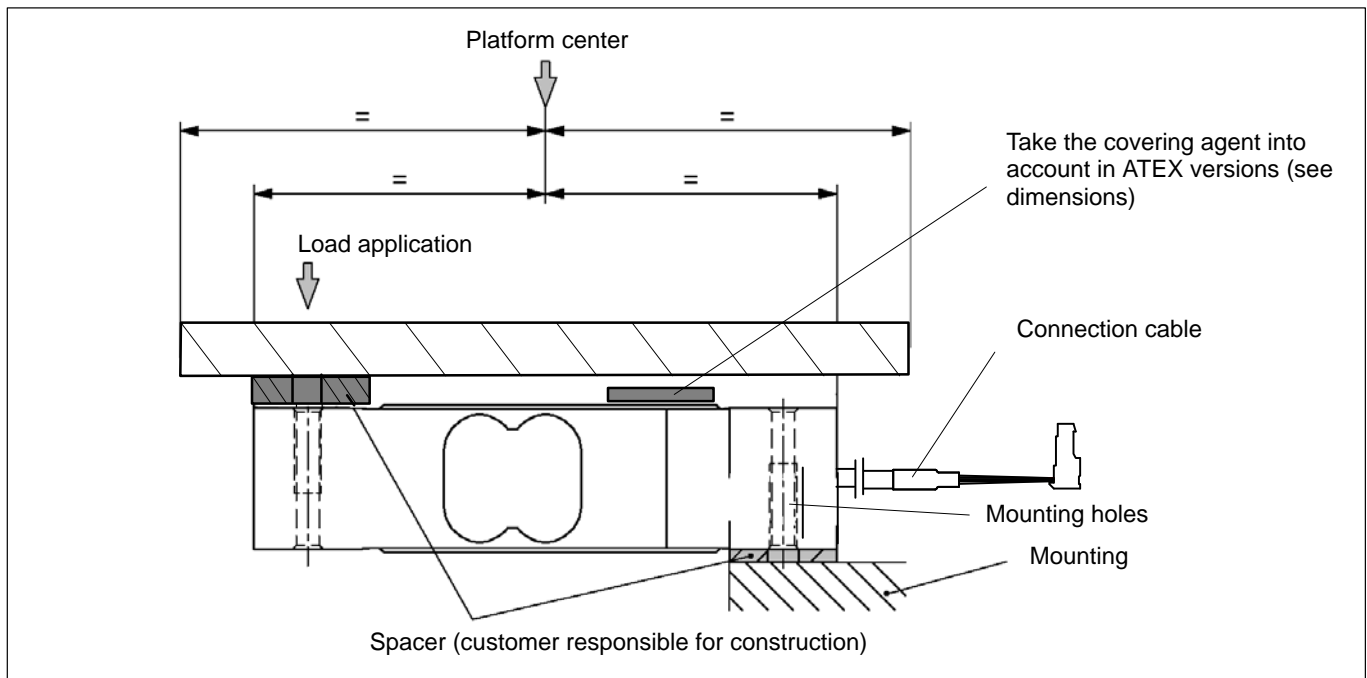
Mounting and load application

The load cells are firmly clamped at the mounting holes, the load is applied at the other end. The recommended screws and tightening torques can be found in the table below:

Maximum capacities	Thread	Min. property class	Tightening torque ¹⁾
1...36 kg	M6	8.8	6 N·m
50...200 kg	M6	10.9	14 N·m

¹⁾ Recommended value for the specified property class. Please comply with the screw manufacturer's instructions with regard to screw dimensions.

Load must not be applied to the side where the cable connection is located, as this would cause a force shunt.



Product numbers (overview)

SP4M... (aluminum)

Type	SP4M	
Accuracy class	C3-MR (OIML) (Multi Range)	C6-MR (OIML) (Multi Range)
Comments	Cable length 3 m (6-wire)	Cable length 3 m (6-wire)

Maximum capacity [kg]	Ordering number	Ordering number
1	1-SP4MC3MR/1KG-1	-
3	1-SP4MC3MR/3KG-1	-
5	1-SP4MC3MR/5KG-1	-
7	1-SP4MC3MR/7KG-1	1-SP4MC6MR/7KG-1
10	1-SP4MC3MR/10KG-1	1-SP4MC6MR/10KG-1
15	1-SP4MC3MR/15KG-1	1-SP4MC6MR/15KG-1
18	-	1-SP4MC6MR/18KG-1
20	1-SP4MC3MR/20KG-1	-
30	1-SP4MC3MR/30KG-1	-
36	-	1-SP4MC6MR/36KG-1
50	1-SP4MC3MR/50KG-1	1-SP4MC6MR/50KG-1
75	1-SP4MC3MR/75KG-1	1-SP4MC6MR/75KG-1
100	1-SP4MC3MR/100KG-1	1-SP4MC6MR/100KG-1
150	1-SP4MC3MR/150KG-1	1-SP4MC6MR/150KG-1
200	1-SP4MC3MR/200KG-1	1-SP4MC6MR/200KG-1

Subject to modifications.
All product descriptions are for general information only. They are not to be understood as a guarantee of quality or durability.

托驰（上海）工业传感器有限公司
上海市嘉定区华江路348号1号楼707室
电话：+86 021 51069888
传真：+86 021 51069009
邮箱：zhang@yanatoo.com
网址：www.sensor-hbm.com

measure and predict with confidence

