

Z6R... Load cell

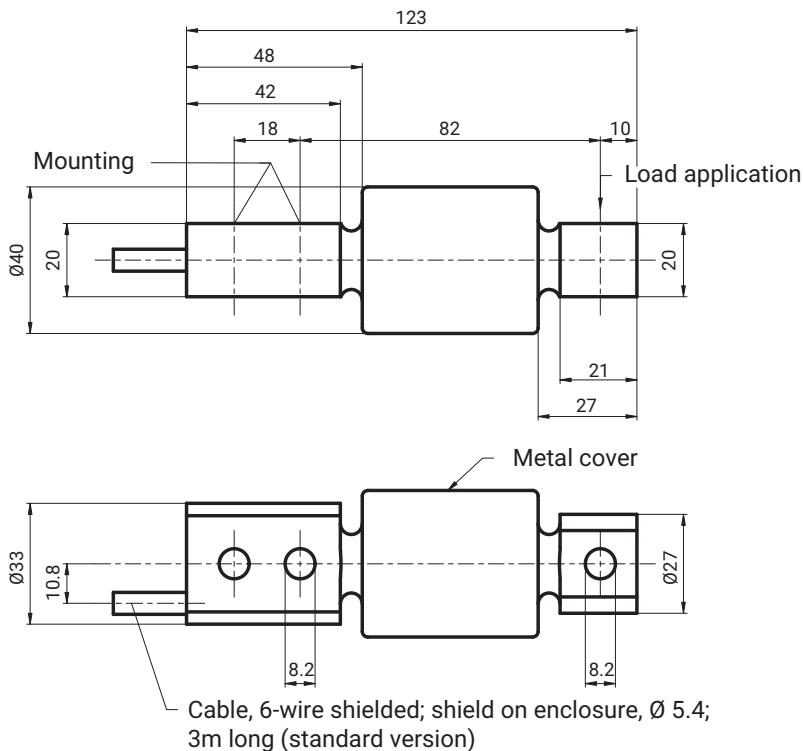
SPECIAL FEATURES

- Nominal (rated) loads: 20 kg ... 200 kg
- Welded-on robust cover
- Load cells made of rust-resistant materials
- Easy to clean
- Same dimensions like Z6F
- Verifiable up to 3000 divisions, test report as per OIML R60
- Six-wire circuit
- Optimized for parallel connection
- Options:
Explosion protection designs as per ATEX and IECEx



DIMENSIONS

Z6RA: Nominal (rated) loads 20 kg ... 200 kg



Minimum distances and bending radii of the cables, see page 8

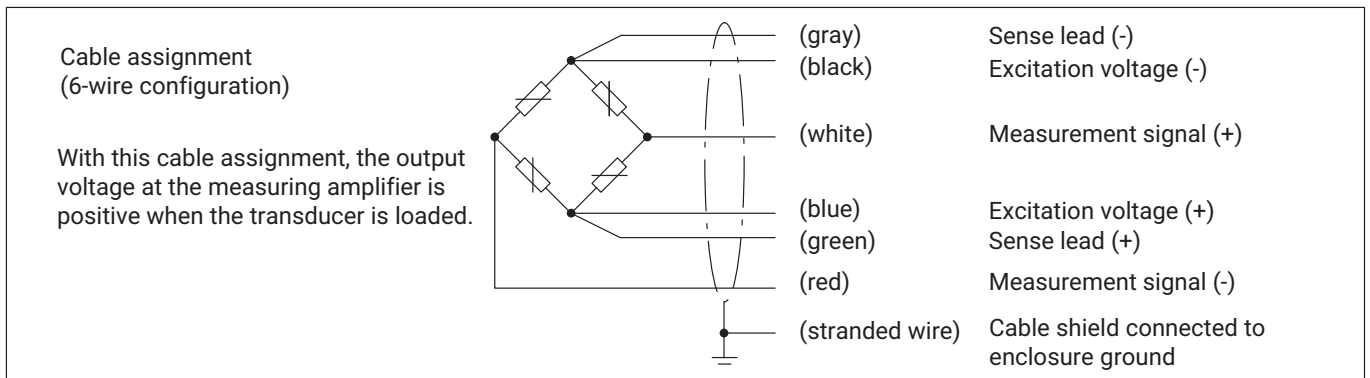
Dimensions (in mm; 1 mm = 0.03937 inches)

SPECIFICATIONS

Type			Z6R...			
Accuracy class per OIML R 60			D1		C3	
Number of scale intervals	n_{LC}		1000		3000	
Nominal (rated) load	E_{max}	kg	20; 50; 100; 200			
Minimum scale division	v_{min}	% of E_{max}	0.0360		0.0090	
Ratio of minimum verification interval	Y		2777		11111	
General specifications						
Nominal (rated) sensitivity	C_n	mV/V	2			
Sensitivity tolerance with load appl. in spec. direction		%	±0.1		±0.05	
Temperature coefficient of sensitivity ¹⁾	TC_S	% of $C_n/10\text{ K}$	±0.0500		±0.0080	
Temperature coefficient of zero signal	TC_0		±0.0500		±0.0125	
Relative reversibility error ¹⁾	d_{hy}		±0.0500		±0.0170	
Non linearity ¹⁾	d_{lin}	% of C_n	±0.0500		±0.0180	
Load creep in 30 min.	d_{DR}		±0.0490		±0.0166	
Input resistance	R_{LC}	Ω	350...480			
Output resistance	R_0		356 ± 0.2		356 ± 0.12	
Reference voltage	U_{ref}	V	5			
Nominal supply voltage range	B_u		0.5...12			
Insulation resistance	R_{is}		GΩ	> 5		
Nominal ambient temperature range	B_T	°C	-10...+40			
Operating temperature range	B_{tu}		-30...+70			
Storage temperature range	B_{tl}		-50...+85			
Limit load	E_L		% of E_{max}	150		
Breaking load	E_d		≥ 300			
Nominal (rated) load	E_{max}	kg	20	50	100	200
Relative permissible oscillatory stress		% of E_{max}	70			
Nominal (rated) displacement approx.	s_{nom}	mm	0.2			
Weight, approx.	G	kg	0.6			
Degree of protection (IP) as per EN60529 (IEC529)			IP68 (tougher test conditions: 2 m water column; 1000 h) / IP69K			
Material						
Measuring body			Stainless steel ²⁾			
Cover			Stainless steel ²⁾			
Cable inlet gland			Stainless steel / Viton [®]			
Cable sheath			PVC			

1) The values for linearity deviation, relative reversibility error and temperature effect on sensitivity are typical values. The sum of these values is within the cumulative error limits laid down by OIML R60.

2) As per EN 10088-1

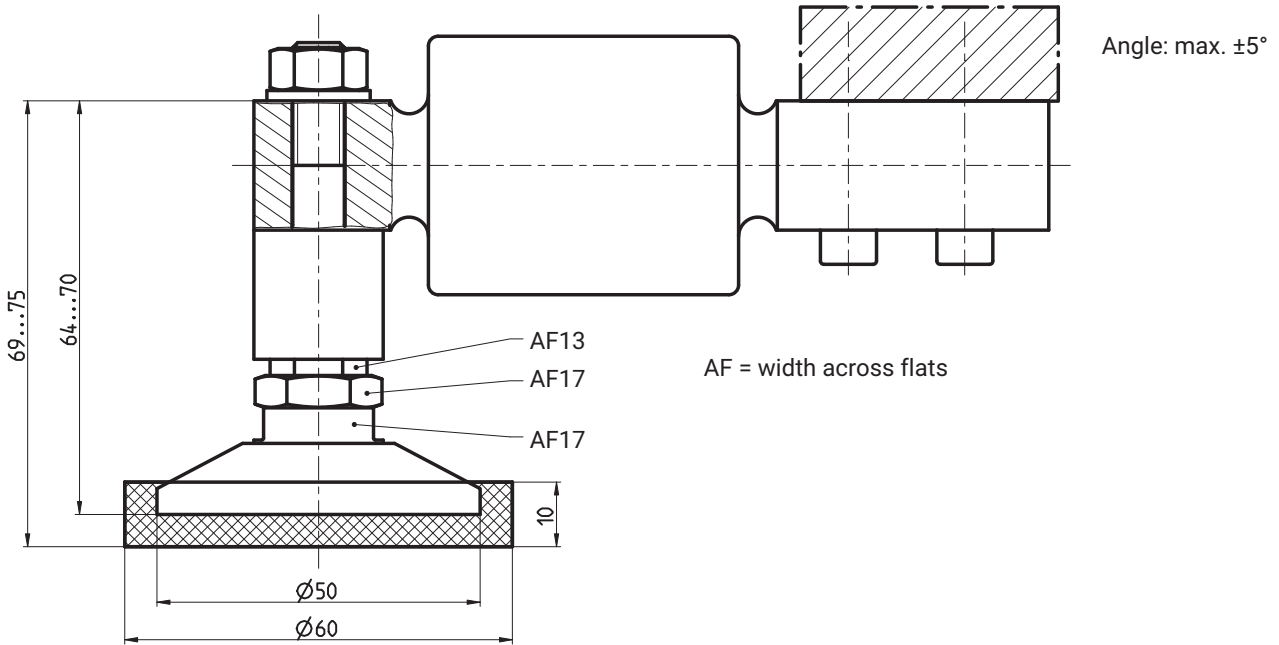


INSTALLATION AIDS, NOT INCLUDED IN SCOPE OF DELIVERY

All installation aids are made of non-rusting material. The rubber parts of the ZEL are made of chloroprene rubber. Dimensions in mm; 1 mm = 0.03937 inches

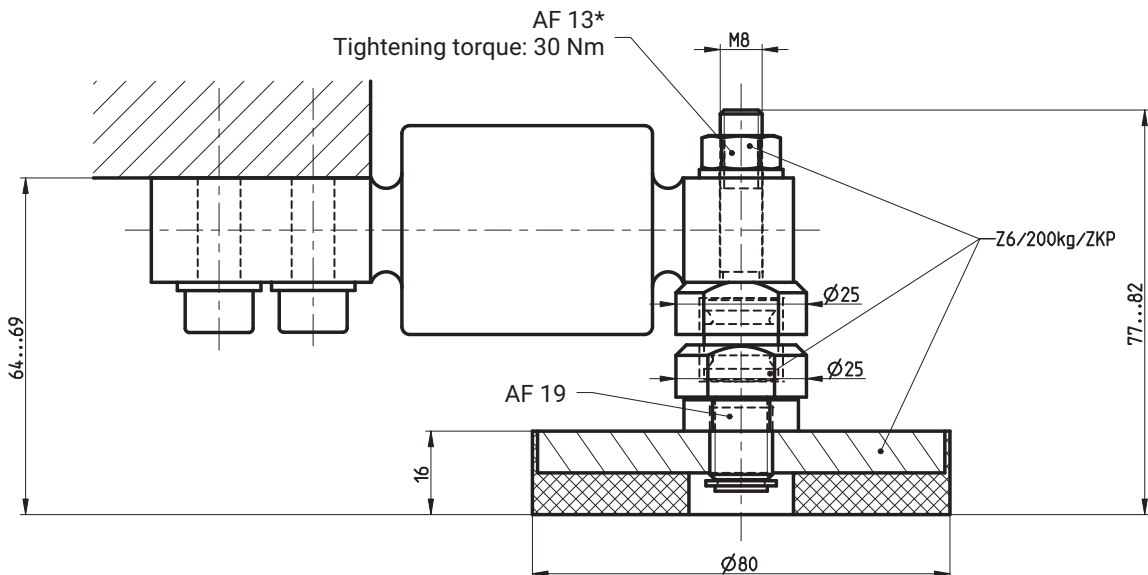
Oscillating loading foot PCX

for nominal rated loads 20 kg ... 200 kg (1-Z6/PCX/500kgSet); 1 Set consists of 4 pieces Z6/PCX/500 kg



Oscillating loading foot for ZKP

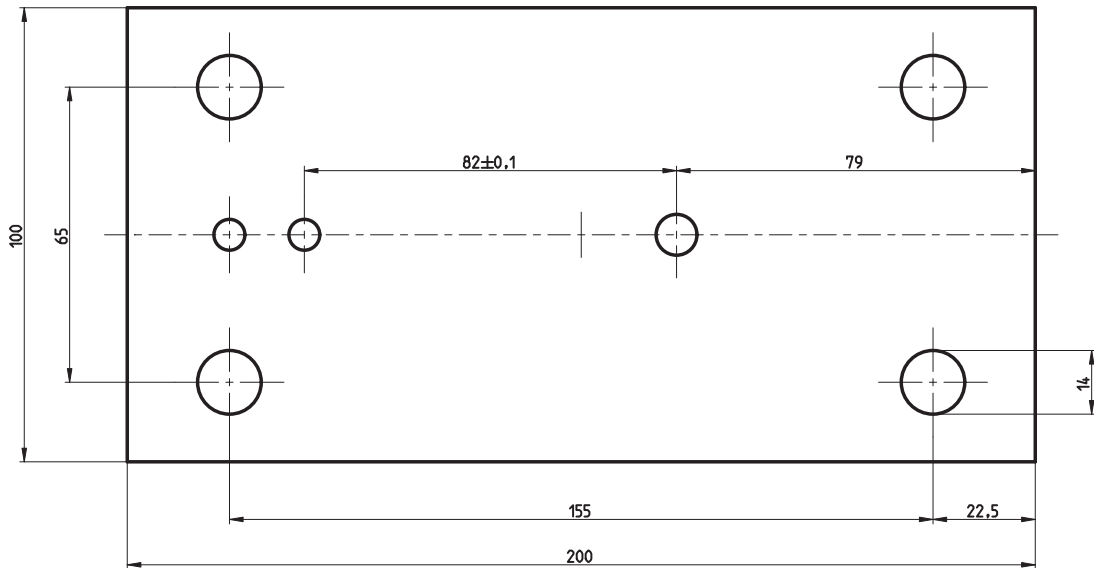
for nominal rated loads 20 kg ... 200 kg (1-Z6/200kg/ZKP)



Base plate / Mounting set

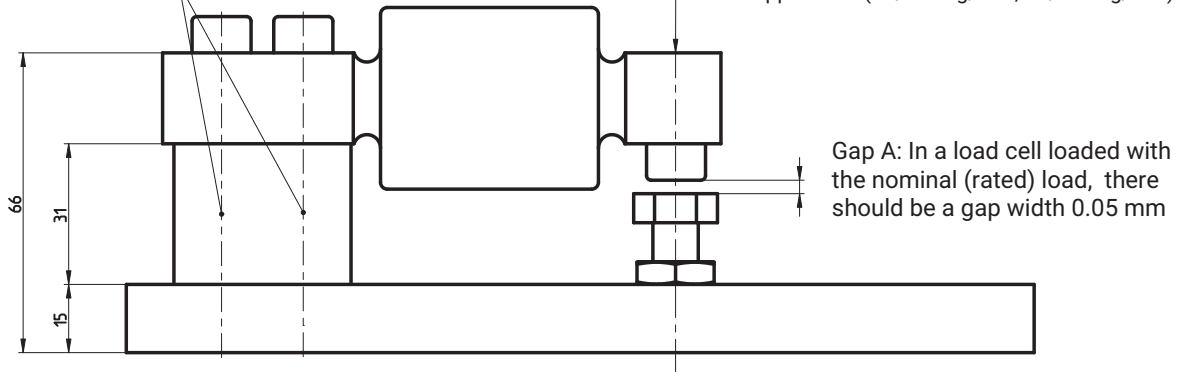
for nominal (rated) loads 20 kg ... 200 kg (1-Z6/ZPU/200kg)

View from below



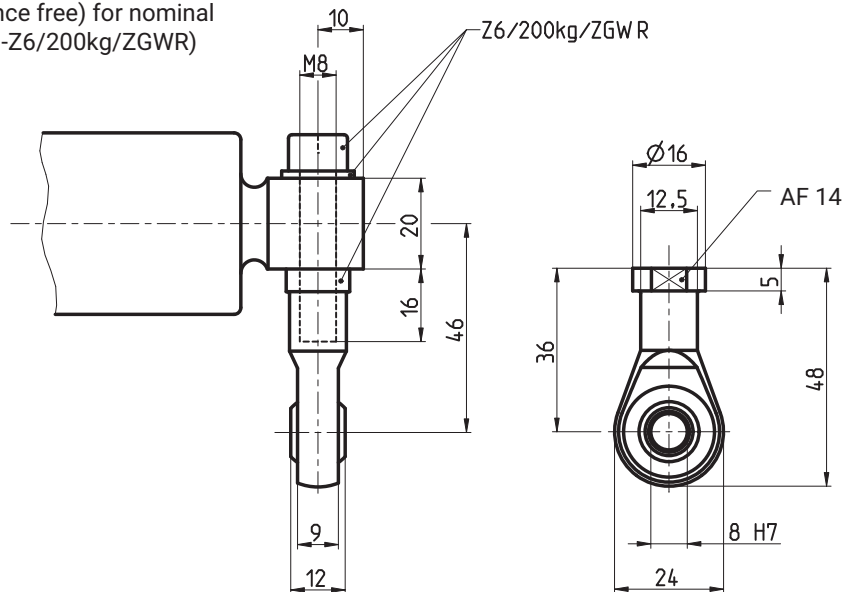
Tightening torque M_A

Load application (Z6/200 kg/ZPL; Z6/200 kg/ZEL)



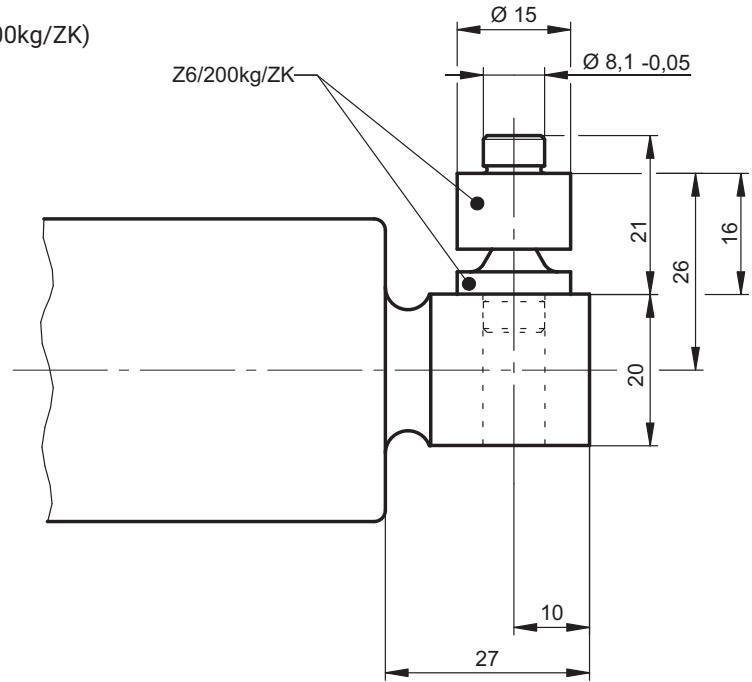
Tightening torque M_A : 23 N·m

Knuckle eye ZGWR (maintenance free) for nominal (rated) loads 20 kg ... 200 kg (1-Z6/200kg/ZGWR)



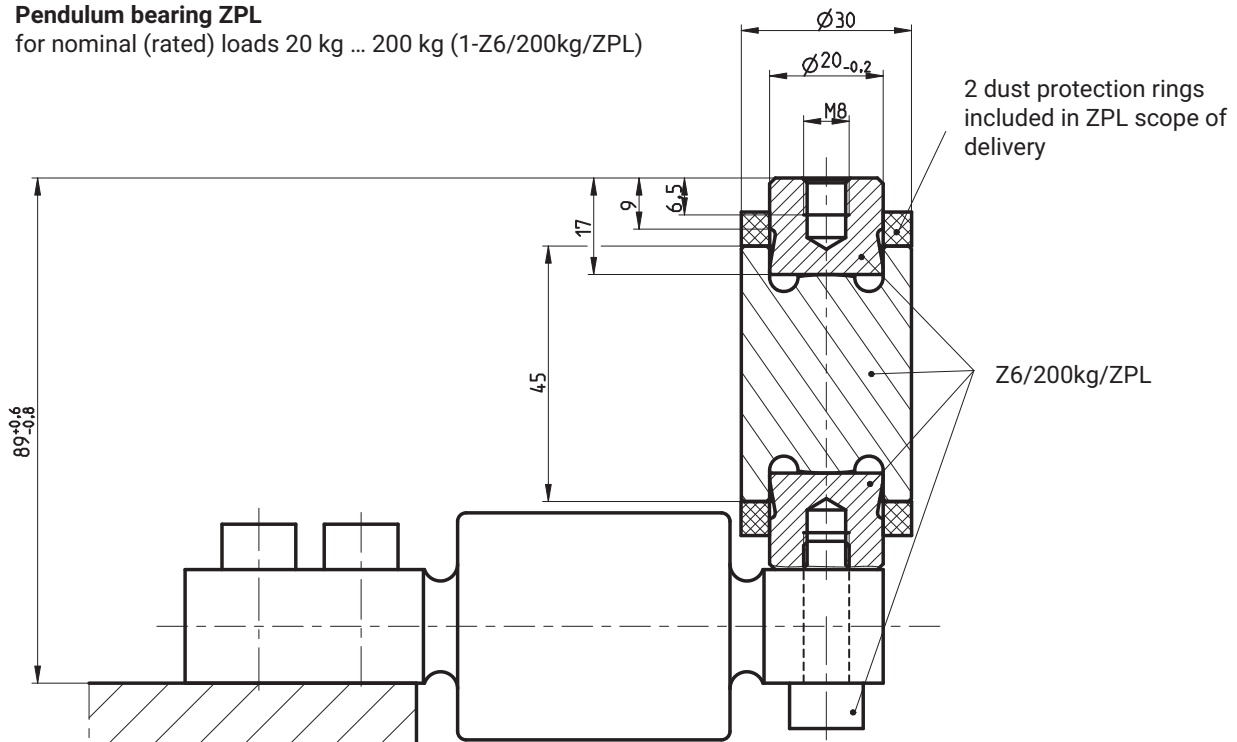
Cone, conical pan ZK

for nominal (rated) loads 20 kg ... 200 kg (1-Z6/200kg/ZK)



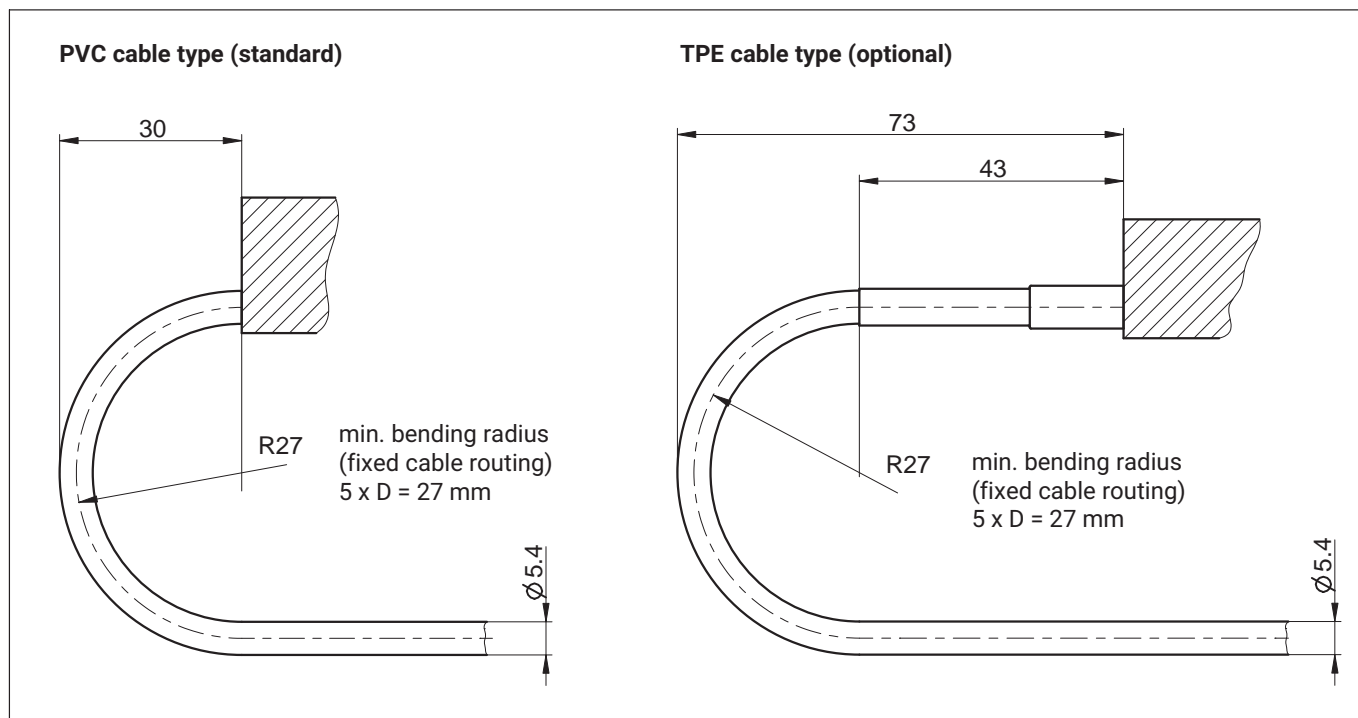
Pendulum bearing ZPL

for nominal (rated) loads 20 kg ... 200 kg (1-Z6/200kg/ZPL)



F_R : Restoring force 2.8% of the applied load with 1 mm lateral displacement
 s_{max} : 3.5 mm maximum permissible lateral displacement at maximum capacity

Minimum distances and bending radii of the cables (with fixed cable routing)



托驰（上海）工业传感器有限公司
上海市嘉定区华江路348号1号楼707室
Tel. 021-51069888 Fax. 021-51069009
www.yanaroo.com zhang@yanaroo.com

Subject to modifications. All product descriptions are for general information only. They are not to be understood as a guarantee of quality or durability.